

# GETTING STARTED

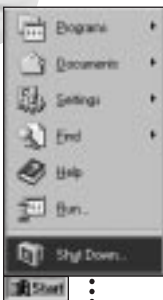
1

Insert CD, then choose Install NI-488.2 Software for Windows.



2

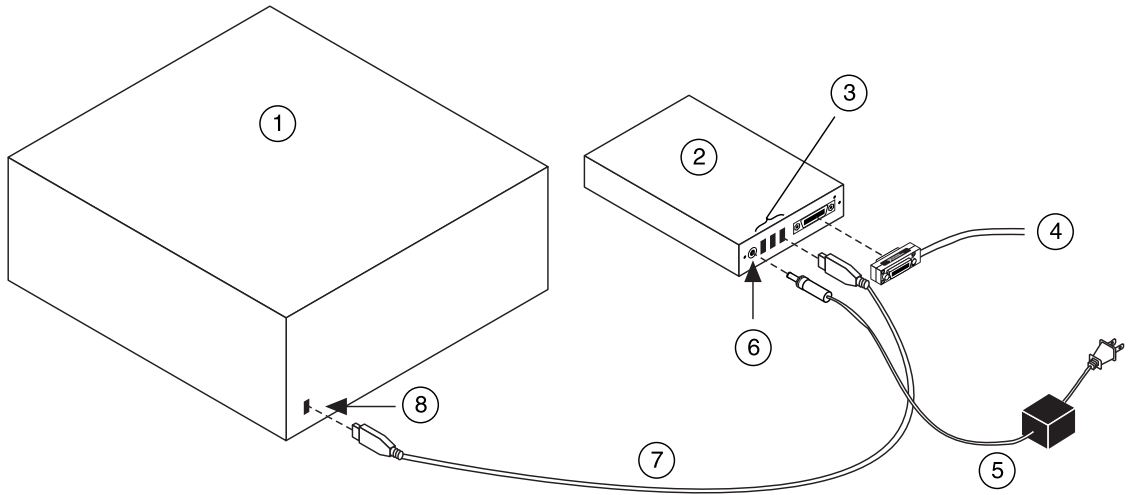
Restart computer.



(Continued)

# 3

Connect cables\*, then plug in power supply.



\* **For Help** installing your hardware, refer to the GPIB Hardware Guide (available on the CD through View Documentation).

## Key

- |                   |                      |
|-------------------|----------------------|
| ① PC              | ⑤ DC Power Supply    |
| ② GPIB-1394       | ⑥ DC Power Connector |
| ③ 1394 Connectors | ⑦ 1394 Cable         |
| ④ GPIB Cable      | ⑧ 1394 Connector     |

4

Power on GPIB-1394.



5

Run NI-488.2 Getting Started Wizard.





[www.natinst.com/support/](http://www.natinst.com/support/)  
[support@natinst.com](mailto:support@natinst.com)

Tel: (512) 795-8248 • Fax: (512) 683-5678  
Fax-on demand: (512) 418-1111 • [ftp.natinst.com](ftp://ftp.natinst.com)



020899

322265A-01